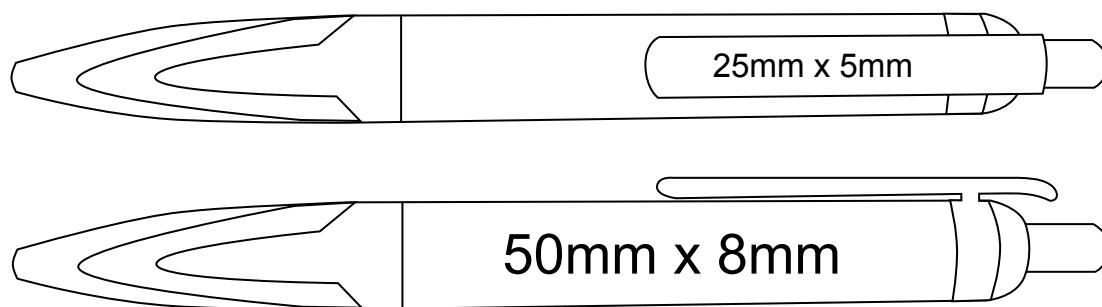


P 42

VIEW:100%



## DECORATION AREA

|                  |            |
|------------------|------------|
| BARREL (PAD):    | 50mm x 8mm |
| BARREL (SCREEN): | N/A        |
| CLIP:            | 25mm x 5mm |
| LASER ENGRAVE:   | N/A        |